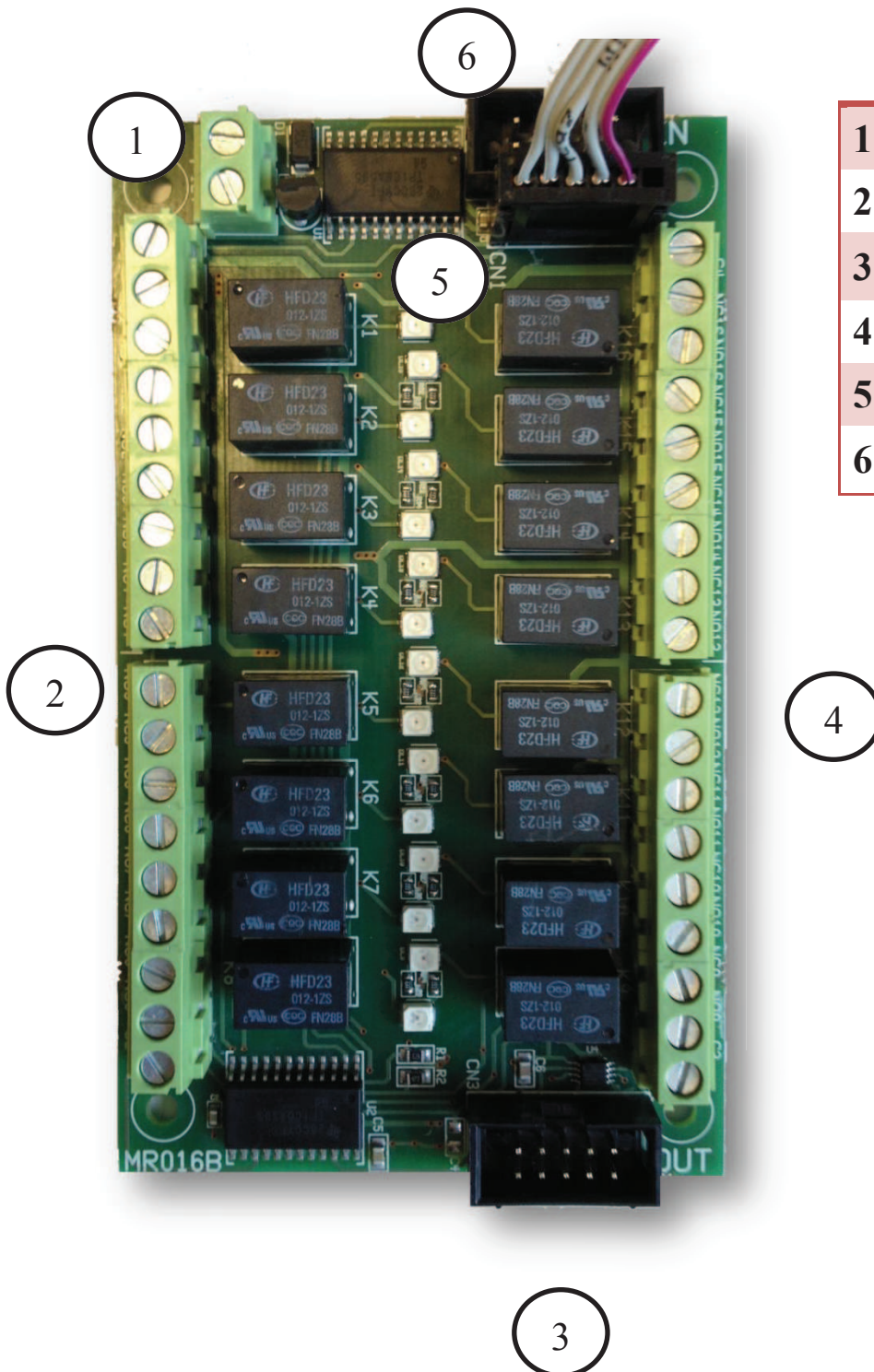


## ADEBUS ESP

### 16 relay output expansion



#### Componenti

1	0-12VDC IN
2	RELAY 1-8 OUT
3	CONNECTION TO THE FOLLOWING EXP.
4	RELAY 9-16 OUT
5	CONNECTION TO CA230
6	CONNECTION TO PREVIOUS EXP. CARD